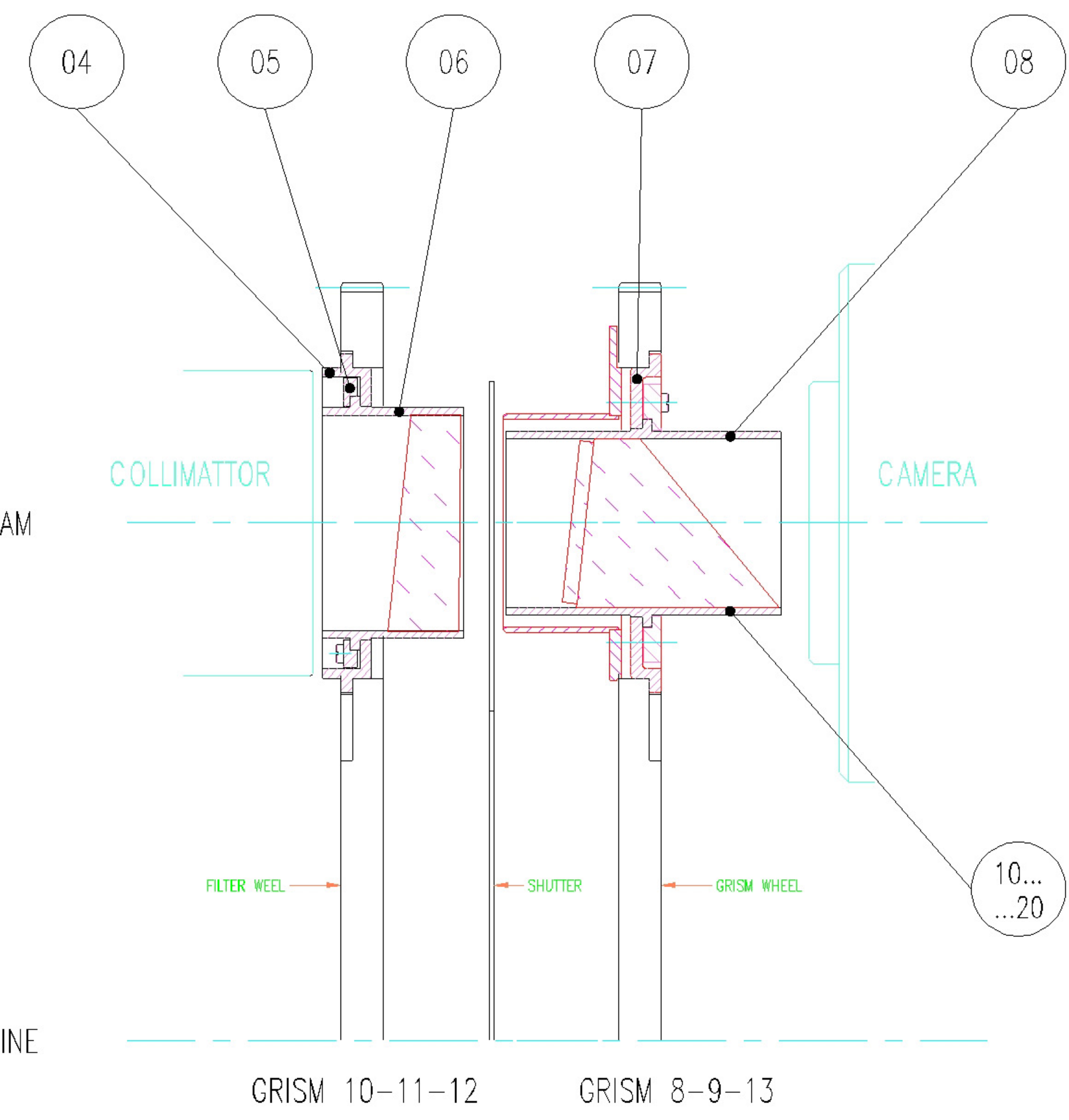


LIGHT BEAM

CENTER LINE



| NO. OF PCS.          | MATERIAL | TOLERANCE | FIT TO   | MODIFIED | DATE     | ACAD DWG. NO.       | DISC. NO. |
|----------------------|----------|-----------|----------|----------|----------|---------------------|-----------|
|                      |          |           | DF-00-00 |          |          | DF-07-00            |           |
| SUB ASSEMBLY Grp. 07 |          |           |          | CONTR.   |          | PROJECT : D-FOSC    |           |
| GRISM                |          |           |          | DATE     | 03.09.93 | DWG. NO. : DF-07-00 |           |
|                      |          |           |          | DRAWN    | K.S.J.   |                     |           |
|                      |          |           |          | SCALE    | 1:1      |                     |           |