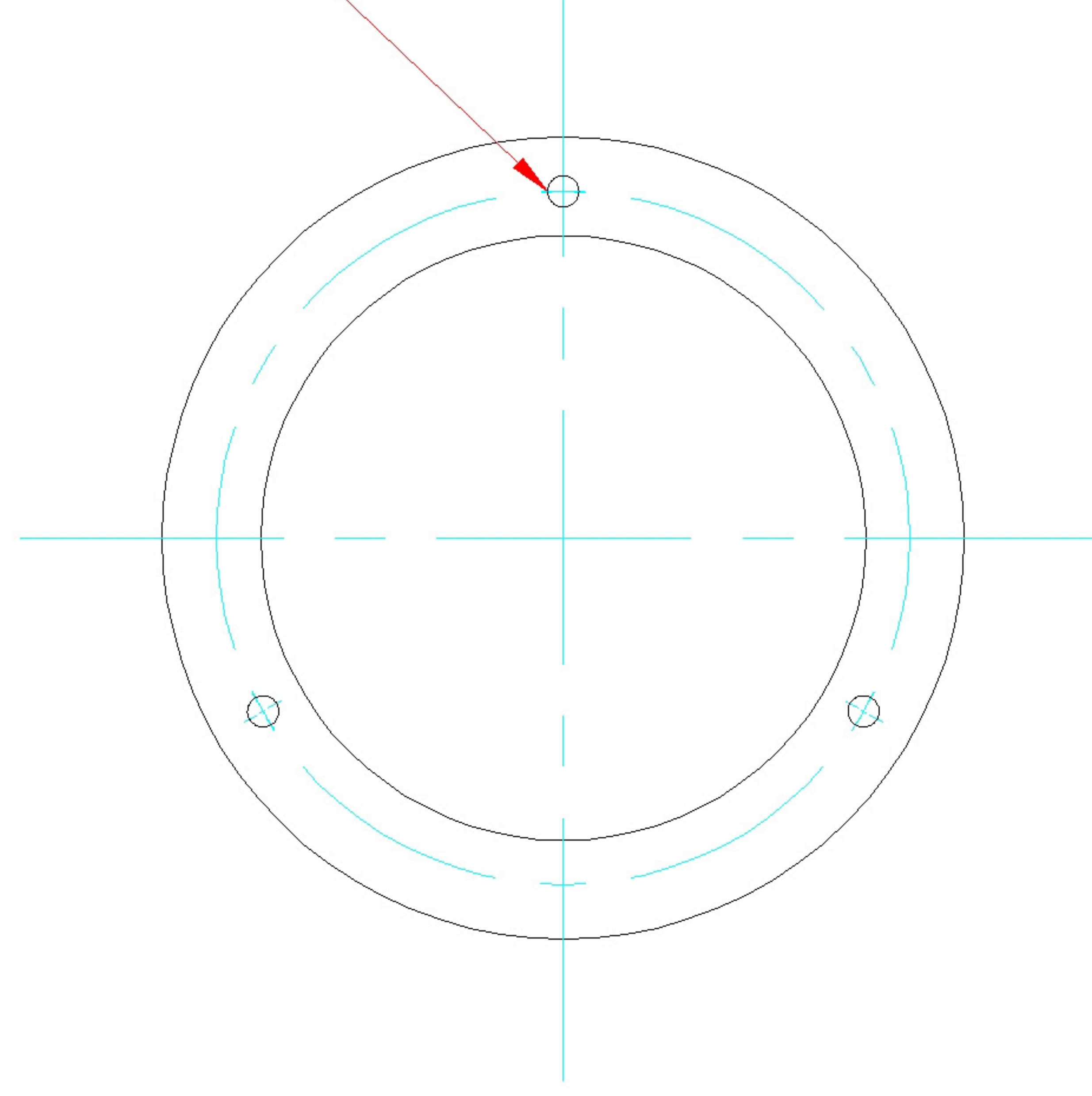


Ø 2.30 R= 25.50



NO. OF PCS.:	MATERIAL.:	TOLERANCE.:	FIT TO :	MODIFIED	DATE :	ACAD DWG. NO.:	DISC. NO.:
10	ALU.	DS.2075.fin	DF-07-00			DF-07-02	
RETAINING RING				CONTR.:		PROJECT : D-FOSC	
GR. 3-4-5-6-7-8-9-10-11-12				DATE :	31.08.92		
				DRAWN:	K.S.J.	DWG. NO. :	DF-07-02
				SCALE :	1:1		

COPENHAGEN UNIVERSITY OBSERVATORY

BRORFELDEVEJ, DK 4340 TOLLØSE
 TELF. 53 48 81 95
 FAX. 53 48 87 55

