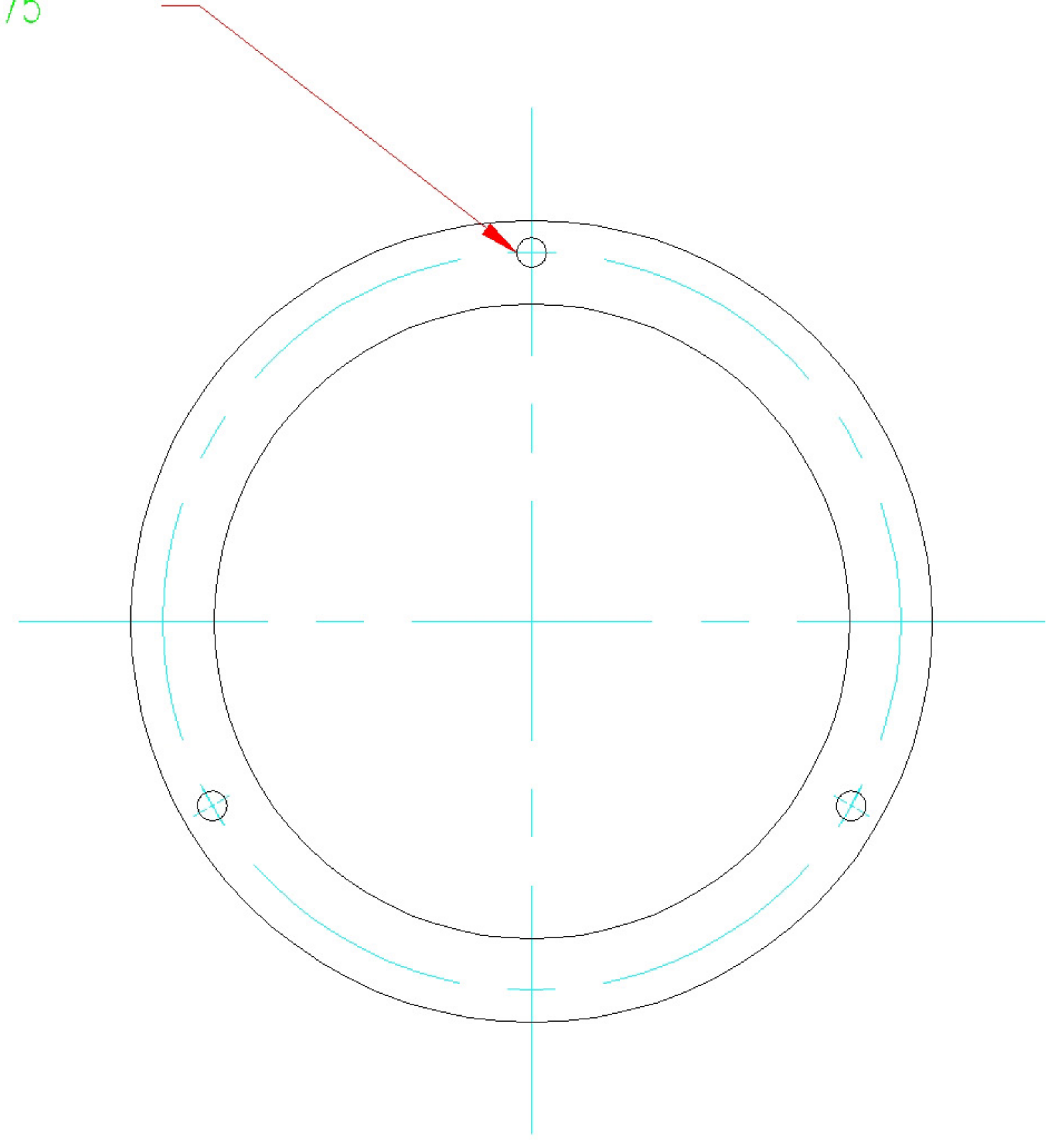
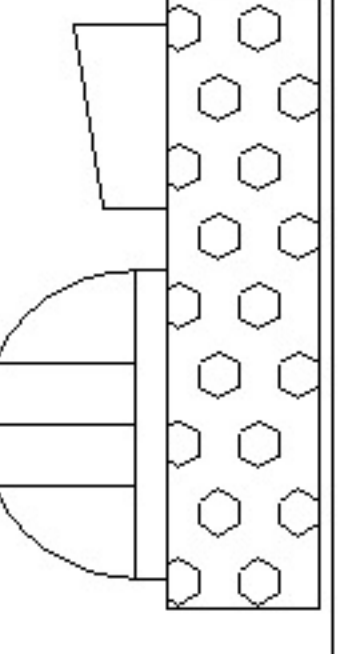
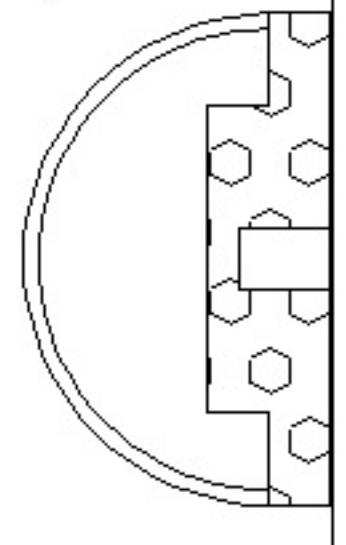


Ø 2.3 R= 28.75



NO. OF PCS.:	MATERIAL.:	TOLERANCE.:	FIT TO :	MODIFIED	DATE :	ACAD DWG. NO.:	DISC. NO.:
3	ALU	DS.2075.fin	DF-07-00			DF-07-05	
RETAINING RING				CONTR.:	PROJECT : D-FOSC		
GR. 105-11-12				DATE :	01.09.92	DWG. NO. :	DF-07-05
				DRAWN:	K.S.J.		
				SCALE :	1:1		

COPENHAGEN UNIVERSITY OBSERVATORY



BRORFELDEVEJ, DK 4340 TOLLULOSE  
 TELF. 53 48 81 95  
 FAX. 53 48 87 55