

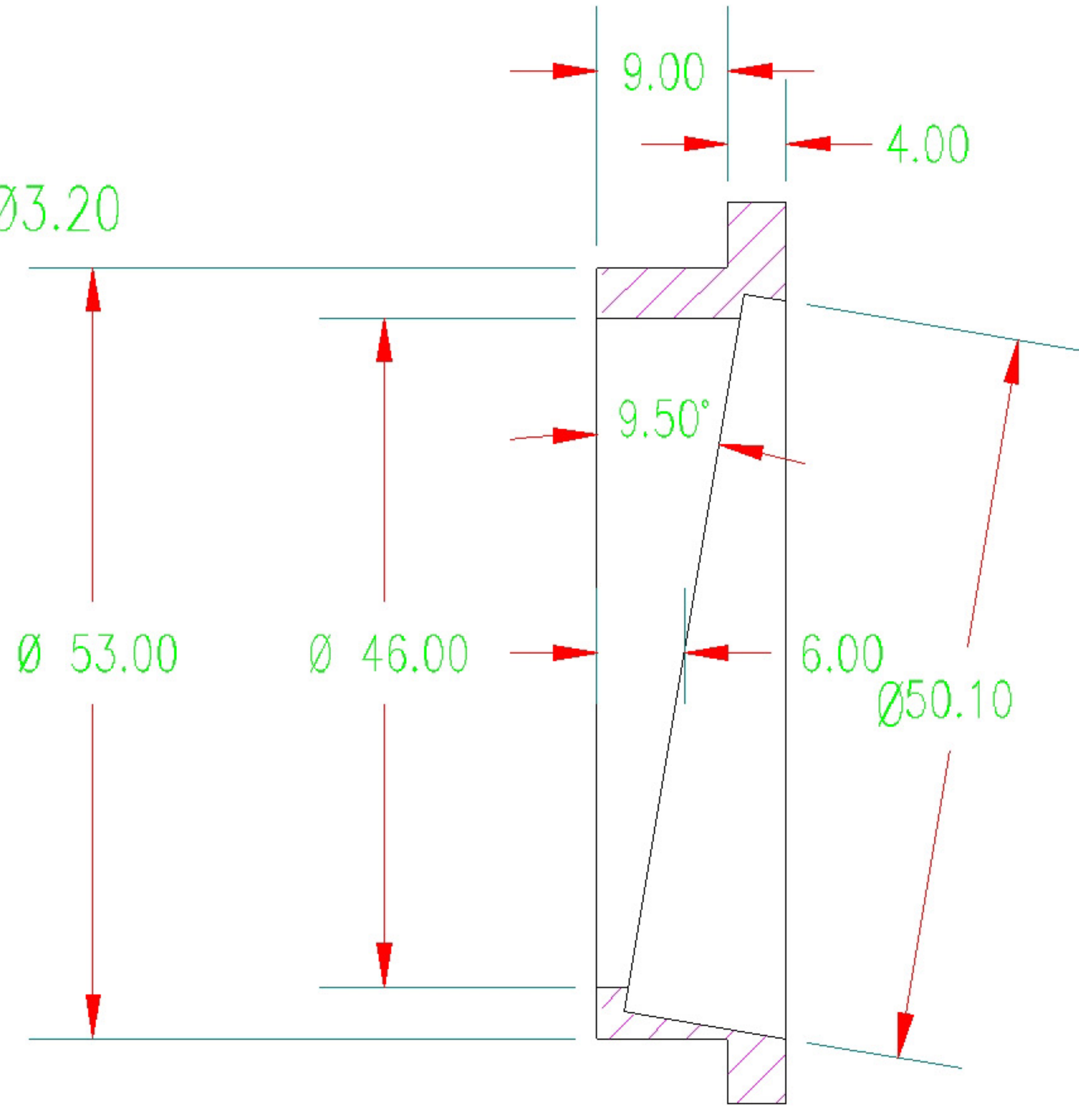
Ø 69.00  
4 Stk. Ø3.20

R31.00

62.00

62.00

# Section A-A



Ø 53.00

Ø 46.00

6.00

Ø50.10

9.50°

9.00

4.00

NO. OF PCS.:	1	MATERIAL.:	Alu	TOLERANCE.:	FIT TO.:	ACAD DWG. NO.:	A-BS-01	DISC. NO.:	
MODIFIED		DATE:		CONTR.:		PROJECT:	ALFOSC		
		DATE:	25.07.92	DRAWN:	K.S.J.	DWG. NO.:	A-BS-01		
		SCALE:	1:1						

## ALFOSC BEAMSPLITTER HOLDER

COPENHAGEN UNIVERSITY OBSERVATORY

BRORFELDEVEJ, DK 4340 TOLLULOSE

TELF. 53 48 81 95  
FAX. 53 48 87 55

