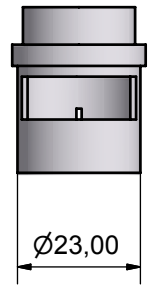
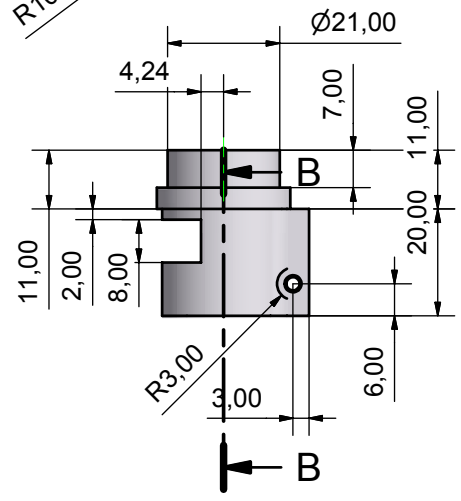
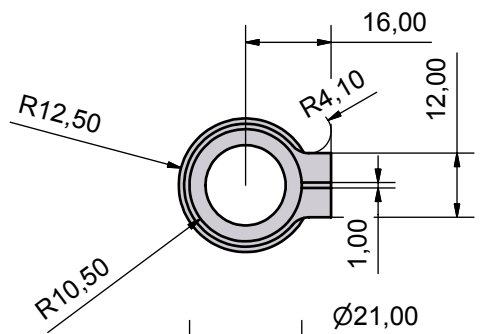
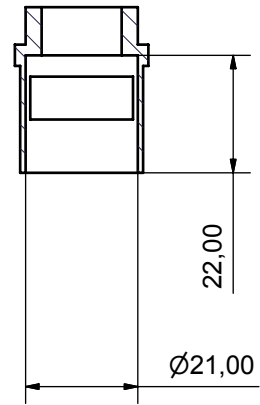
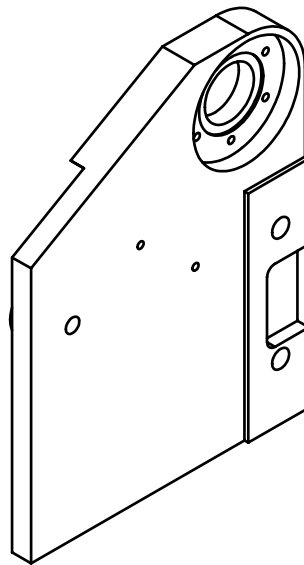
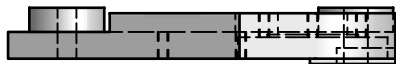
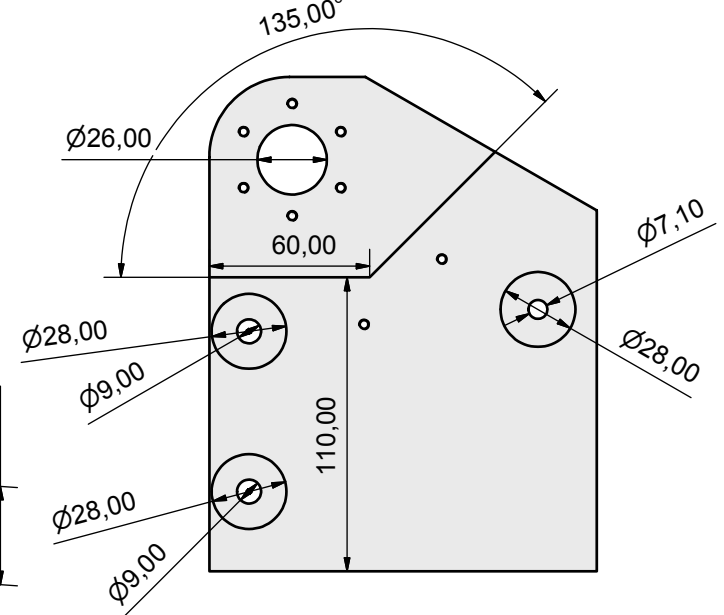
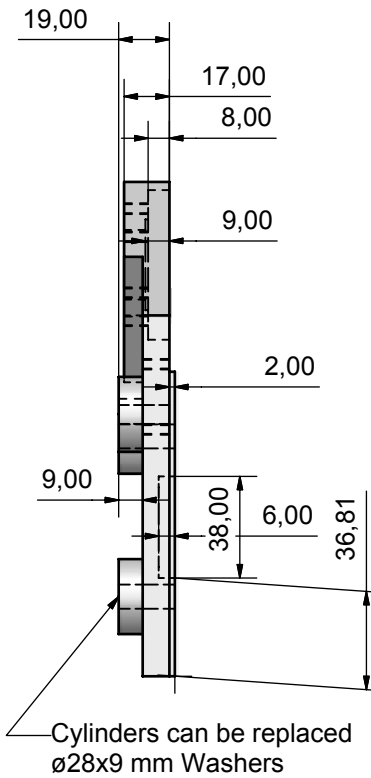
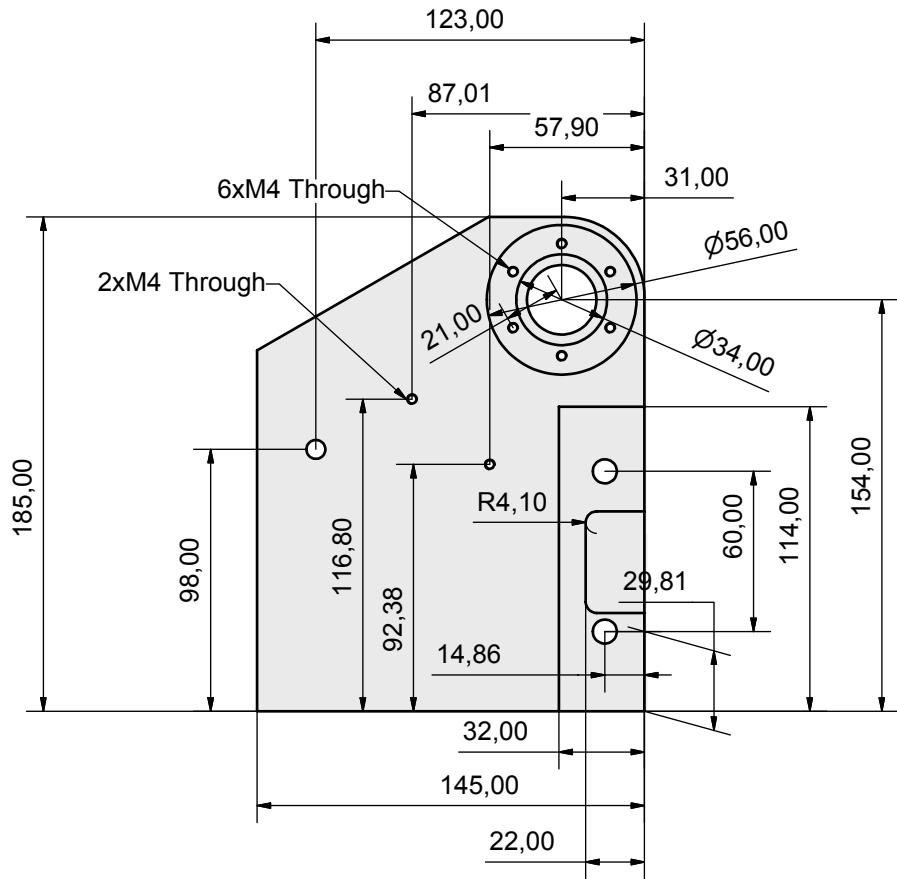


Designed by Niels Michaelsen	Checked by	Approved by - date	Date 26/11/2004	
NOT Adaptor ADC for FIES			SwingArm	
			Edition	Sheet 1 / 8

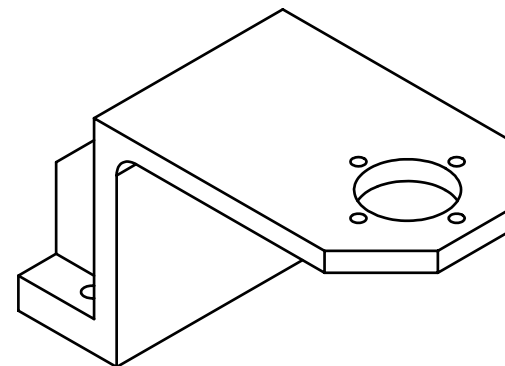
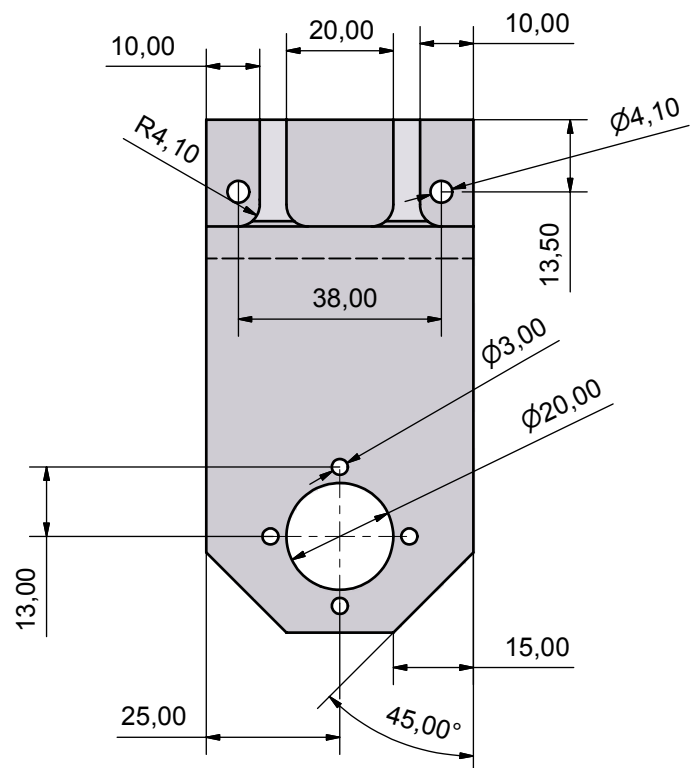
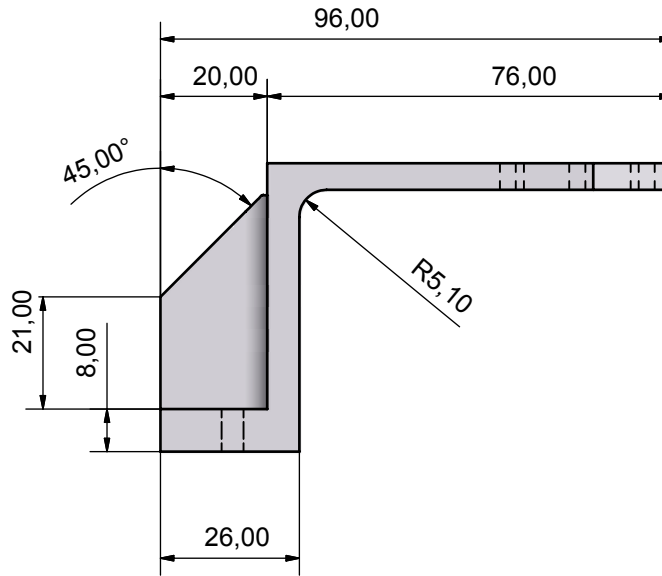
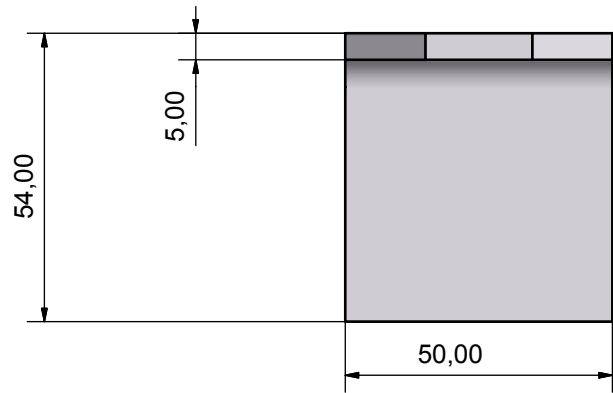
B-B (1:1)



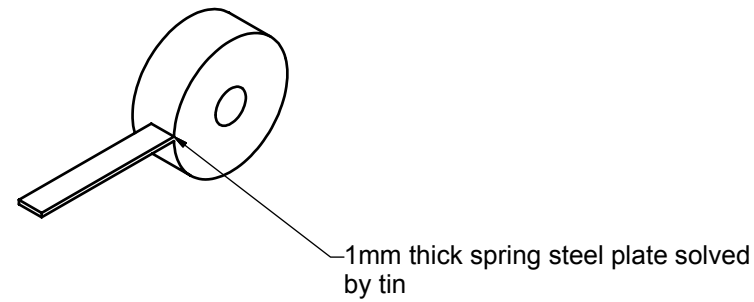
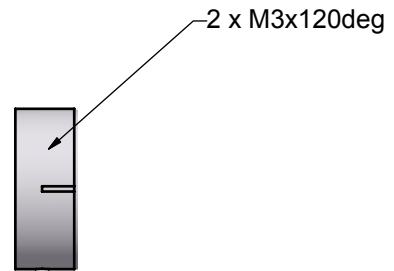
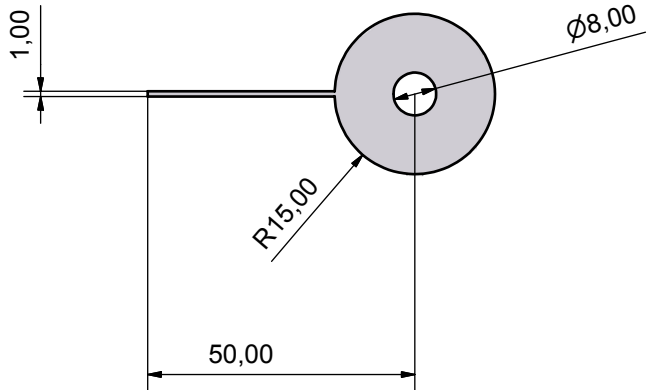
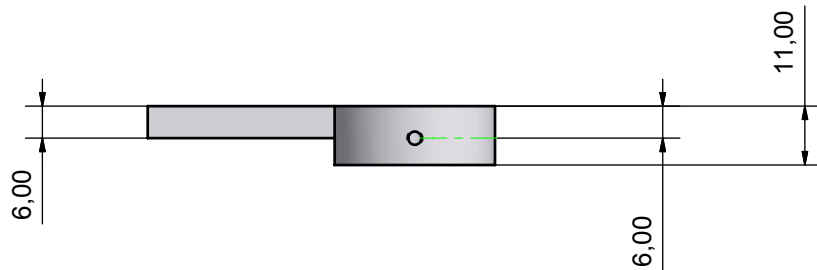
Designed by Niels Michaelsen	Checked by	Approved by - date	Date 26/11/2004
Support for Motor		SwingArm	
		Edition	Sheet 3 / 8



Designed by Niels Michaelsen	Checked by	Approved by - date	Date 26/11/2004
Arm Base		SwingArm	
		Edition	Sheet 4 / 8



Designed by Niels Michaelsen	Checked by	Approved by - date	Date 26/11/2004
Main Motor Base		SwingArm	
		Edition	Sheet 5 / 8



Designed by Niels Michaelsen	Checked by	Approved by - date	Date 26/11/2004
		SwingArm	
		Edition	Sheet 6 / 8

6 5 4 3 2 1

D

D

C

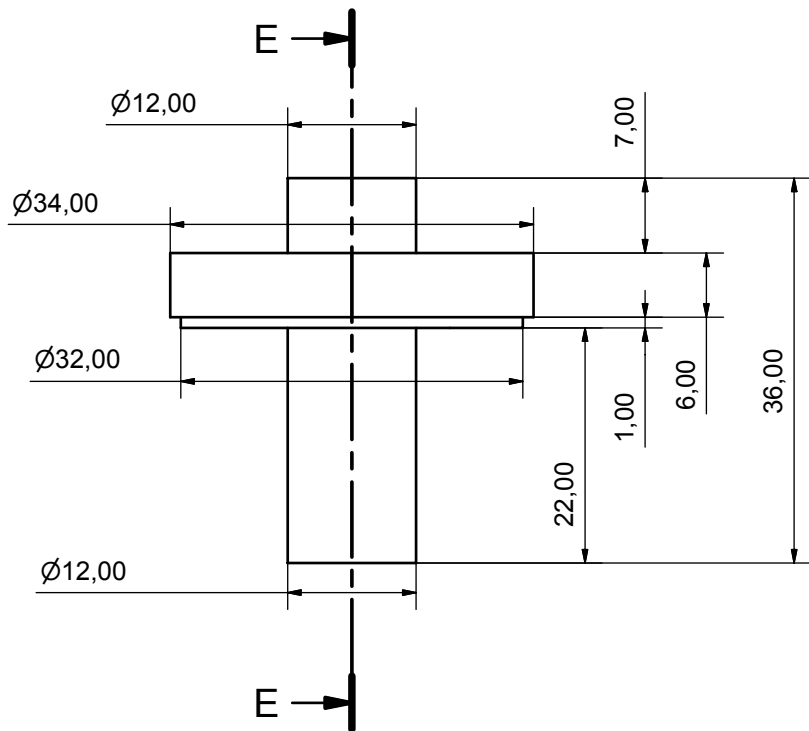
C

B

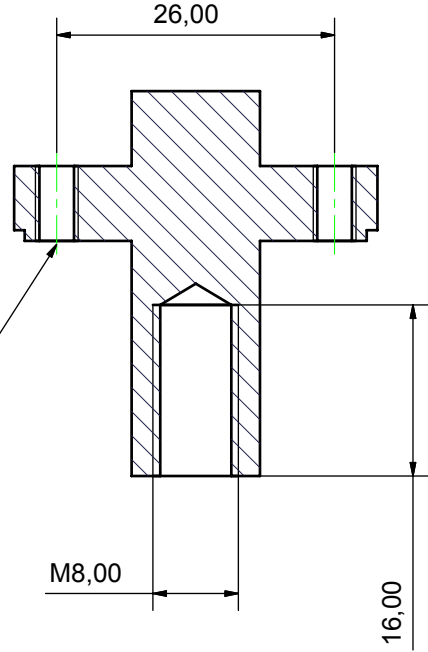
B

A

A



E-E (2:1)

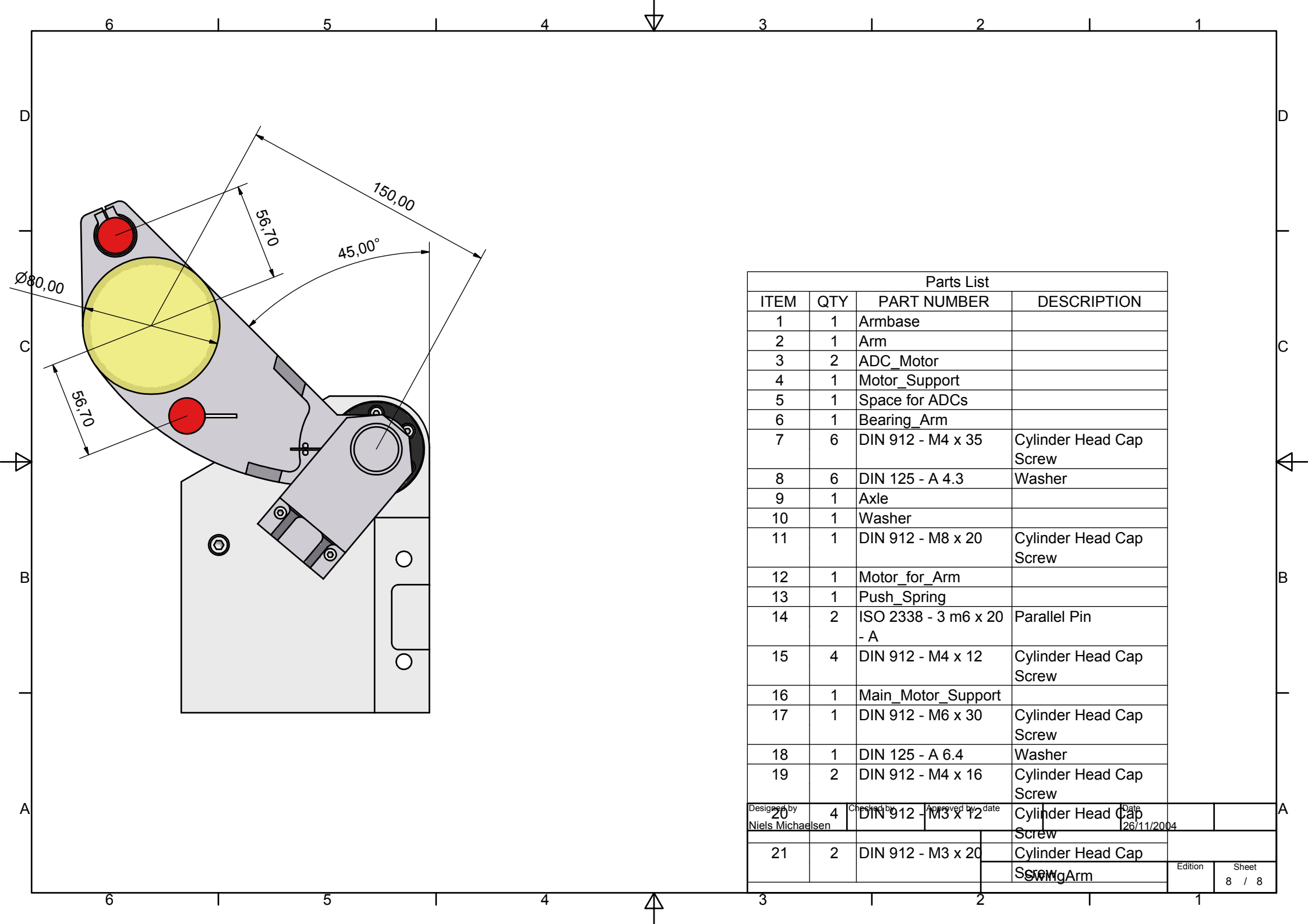


Material : Steel 50

Designed by Niels Michaelsen	Checked by	Approved by - date	Date 26/11/2004	
Axle		SwingArm		
		Edition	Sheet 7 / 8	

6 5 4 3 2 1





Parts List			
ITEM	QTY	PART NUMBER	DESCRIPTION
1	1	Armbase	
2	1	Arm	
3	2	ADC_Motor	
4	1	Motor_Support	
5	1	Space for ADCs	
6	1	Bearing_Arm	
7	6	DIN 912 - M4 x 35	Cylinder Head Cap Screw
8	6	DIN 125 - A 4.3	Washer
9	1	Axle	
10	1	Washer	
11	1	DIN 912 - M8 x 20	Cylinder Head Cap Screw
12	1	Motor_for_Arm	
13	1	Push_Spring	
14	2	ISO 2338 - 3 m6 x 20 - A	Parallel Pin
15	4	DIN 912 - M4 x 12	Cylinder Head Cap Screw
16	1	Main_Motor_Support	
17	1	DIN 912 - M6 x 30	Cylinder Head Cap Screw
18	1	DIN 125 - A 6.4	Washer
19	2	DIN 912 - M4 x 16	Cylinder Head Cap Screw
20	4	DIN 912 - M3 x 12	Cylinder Head Cap Screw
21	2	DIN 912 - M3 x 20	Cylinder Head Cap Screw

Designed by: Niels Michaelisen
 Checked by: []
 Approved by: []
 Date: 26/11/2004

Edition: []
 Sheet: 8 / 8