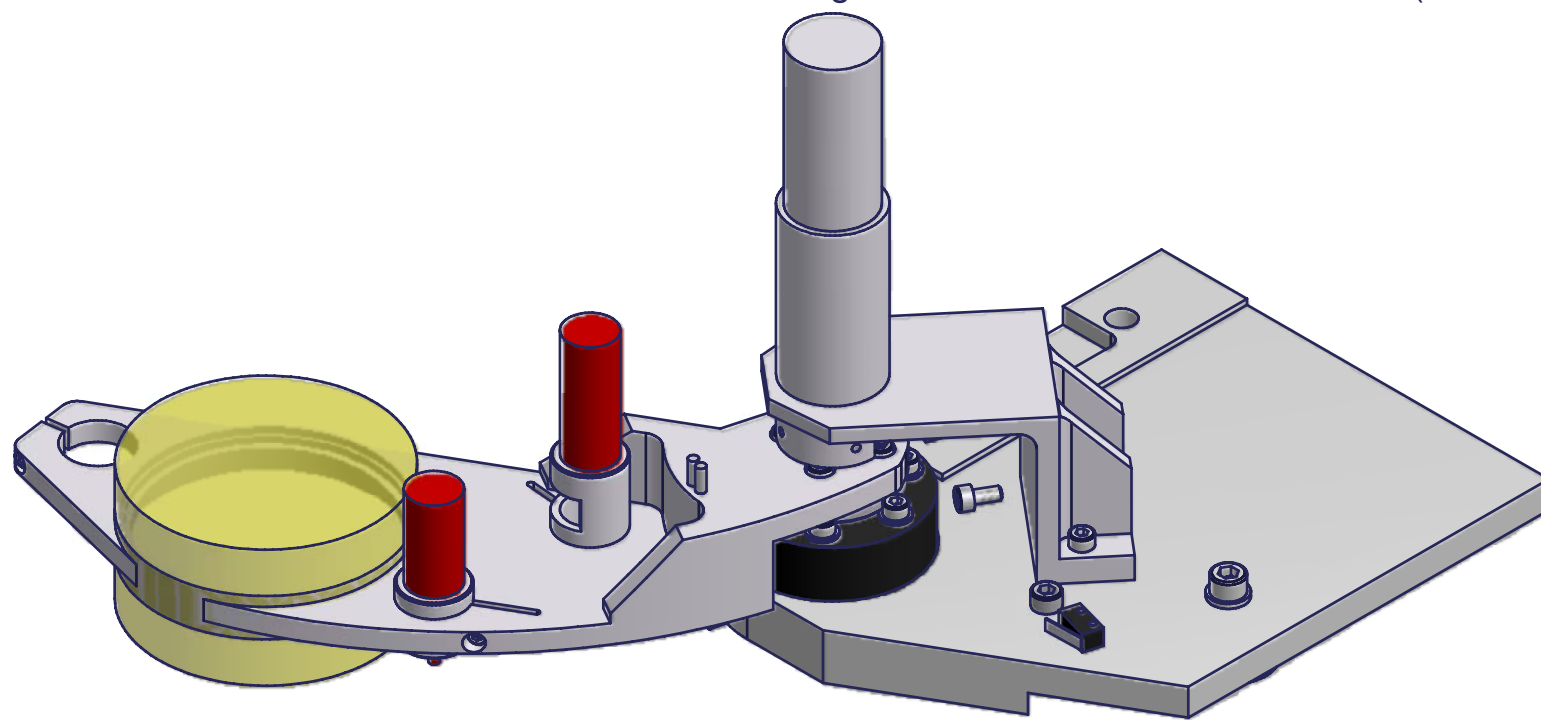



These dimensions might be a littel bit different in real life (a few m.m.)



Institute of Physics and Astronomy Aarhus Universitet				IFA 		Mtr		
						Designer John E. Andersen		
				Project				
				Creation date		Last saved		
				14-05-2007		14sep06 - 12:23pm		
				SwingArm flyttet motor				Rev no.
								A3
Rev	Changes	Date	Name	Q:\Inventor DWG\Søren Frandsen\FIES\ADC\ADC rev2\SwingArm flyttet motor.iam				