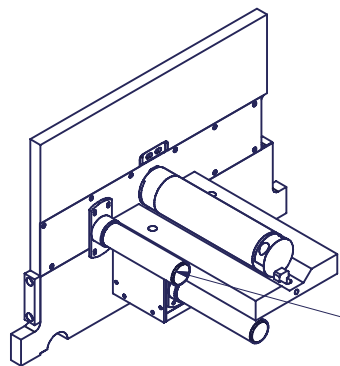



Faulhaber DC-brushless minimotor
1628 gearhead 16/7 1:2608 Encoder IE2-512



Faulhaber DC-brushless minimotor
1628 gearhead 16/7 1:1526 Encoder IE2-64

Institute of Physics and Astronomy Aarhus Universitet						Mtr	
						Designer John E. Andersen	
				Project V-Block			
				Creation date Last saved			
				20-09-2004 27aug04 - 8:48am			
						0-Ass Input V-Block	
						Rev no. A3	
Rev	Changes	Date	Name	Q:\Inventor DWG\Søren Frandsen\FIES\Input V-block\0-Ass Input V-Block.iam			