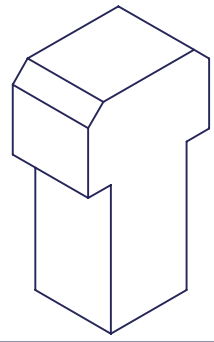
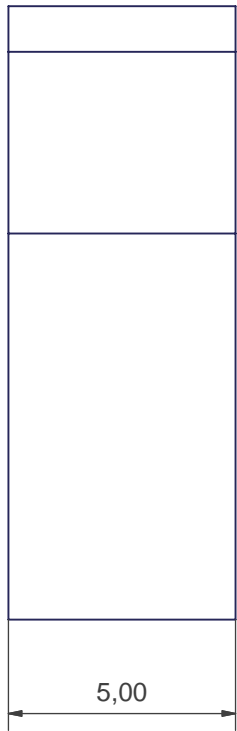
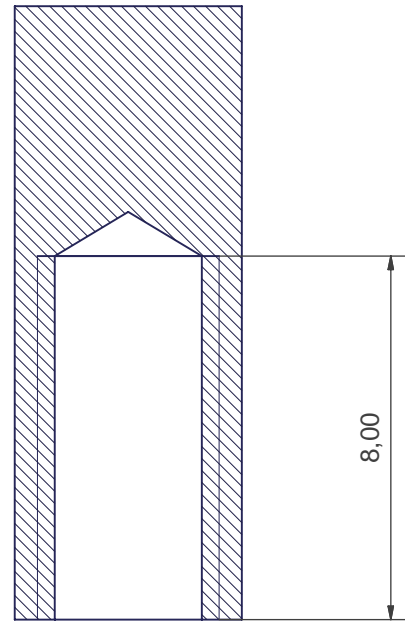



A-A (8,50 : 1)



5,00 tilpasses spor
i v-blokken

Institute of Physics and Astronomy Aarhus Universitet				IFA 		Mtr Stainless Steel, 304	
						Designer John E. Andersen	
				Project EMS			
				Creation date Last saved		Rev no.	
				08-12-2004 08nov04 - 3:59pm		2-adjustable endstop	
				Q:\Inventor DWG\Søren Frandsen\FIES\Input V-block2-adjustable endstop.ipt		A3	
Rev	Changes	Date	Name				