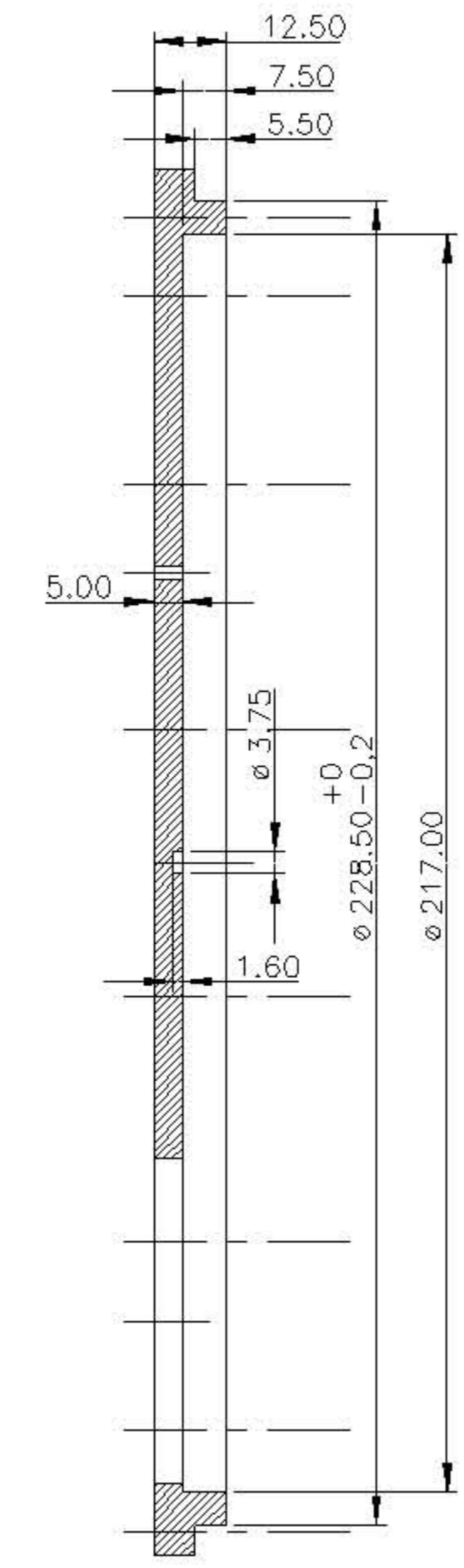
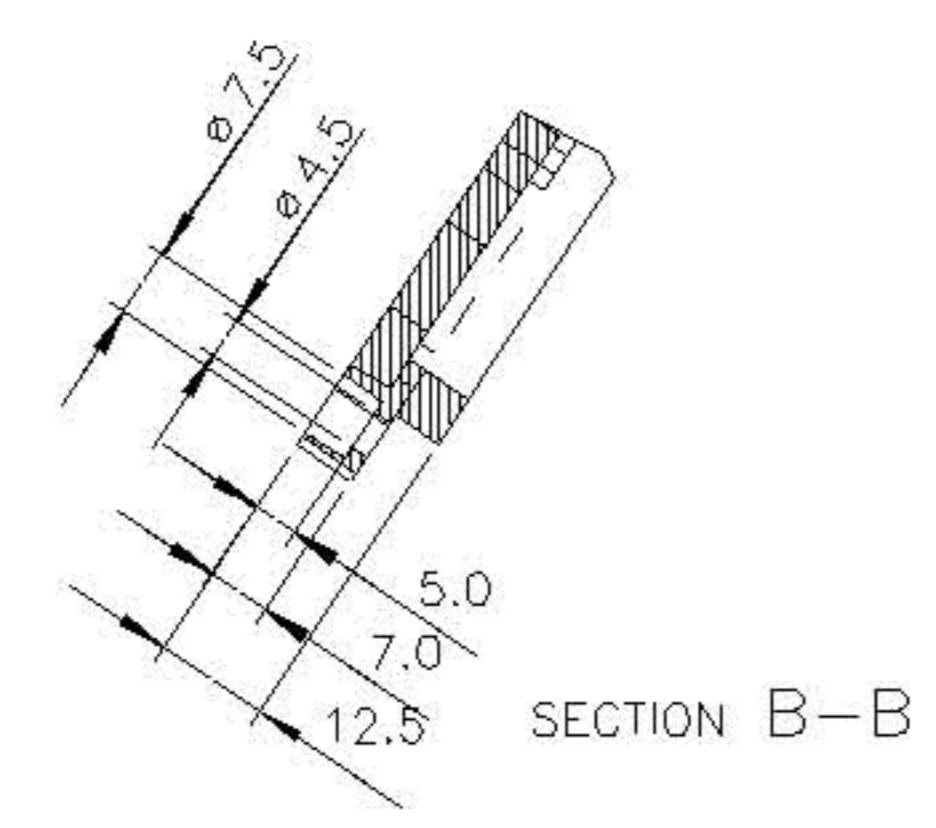


SCALE 1:2



SECTION A-A



SECTION B-B

Issue:	Status/Change:	Date:	Constr:	Drawn:	Check:	Prod:	App.:
A	FIRST DRAWING	311097	PH	AMAA	-	-	-
Draw stand.:	Material:	THIS DRAWING SHALL NOT BE COPIED OR COMMUNICATED TO ANY THIRD PERSON WITHOUT CONSENT FROM PROTOTECH A.S. N-5036 FANTOFT NORWAY.					
NS (CORRESP.ISO)							
General tol.:	Mat. cert.:						
NS ISO 2768-1		Scale:	1:1	Orig. format:	A1		
Surf. rough.:	Proj.:	Title: NOT-NORDIC OPTICAL TELESCOPE COVER PLATE PART DRAWING					
		Draw. no.: 97621_01_02_02_PRT_A					